



Auto Chock® Wheel Restraint

Product Specifications



DESIGN HIGHLIGHTS

- In-ground mount design
- Push-button control
- LED interior & exterior communication lights
- Exterior sign package
- Remote pump & motor
- Programmable controller
- Manual release for power failure
- Low maintenance design
- Exterior audible motion alarm
- Chock height of 12" or 16" (customer specified)

AVAILABLE OPTIONS

- Chock height _____ (specify 12" or 16")
- Dual pump and motor
- Extension hose kit
- Wall mount bracket for power unit
- Interior audible alarm
- Electric de-icing system (heater kit)
- Other _____

ACCESSORIES

- Control panel stanchion
- Digital master or combination control panel with HMI _____
- Other _____

PROJECT INFORMATION

JOB NAME _____

ADDRESS _____

GENERAL CONTRACTOR _____

DISTRIBUTOR _____

MODEL _____

QUANTITY _____

CERTIFIED FOR CONSTRUCTION

BY _____

COMPANY _____

ADDRESS _____

DATE _____

1. **General:** The AUTO CHOCK is an automatic wheel chocking device designed to chock the wheel of a truck or trailer and hold it at the loading dock to be hydraulically operated with NEMA 12 control panel (selectable voltages of 208V, 230V, 460V or 575V - all 3 phase). In-ground mounted housing includes the hydraulically powered AUTO CHOCK (selectable chock height of 12" or 16"), which stores below grade and raises to an operating position when activated. The system includes operating controls and hydraulic power system mounted inside the building along with an interior and exterior visual communication system.

2. **Construction:** Heavy-duty chock weldment of 1/4" steel plate, 12" wide with 21" engagement radius. Available in 12" or 16" height. Structural housing is 3/16" with 3/8" steel chock track and guide rails. Optional 120V heat tracing cables; temperature activated to prevent ice in housing. Entire assembly is surface finished in yellow, acting as a guide stripe to help drivers align their trucks with the dock.

3. **Operation:** The truck is backed into position against the dock bumpers and the brakes are set. The dockworker pushes the RESTRAINT ENGAGE button on the control panel to activate the AUTO CHOCK. When activated, the outside lights immediately change from green "O" to red "X" and the inside light changes from red "X" to flashing red "X". The AUTO CHOCK rises from its stored position and moves toward the dock until it snugs up against the truck tire. While the AUTO CHOCK is moving in either direction, a motion alarm will sound. When the AUTO CHOCK successfully engages against the chock tire, the inside light changes from flashing red "X" to green "O". When loading/unloading is complete, the dock worker pushes the RESTRAINT RELEASE button on the control panel to disengage the AUTO CHOCK. The inside light immediately changes to a flashing red "X". When the AUTO CHOCK reaches its stored position, the inside light changes to solid red "X" and the outside light changes to green "O".

4. **Communications:** Communication system consists of printed operating instructions on the control panel, an outside mounted instruction sign for the truck driver, and red/amber/green LED interior communication lights and red/green LED exterior communication lights. Complete operating and installation instructions are included in the installation and owners manual.

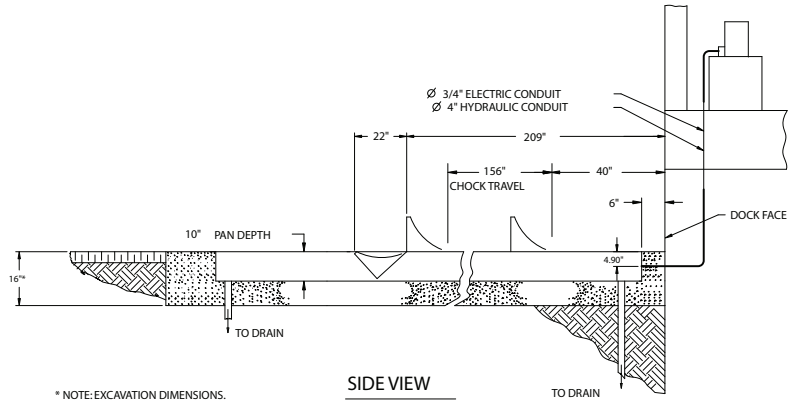
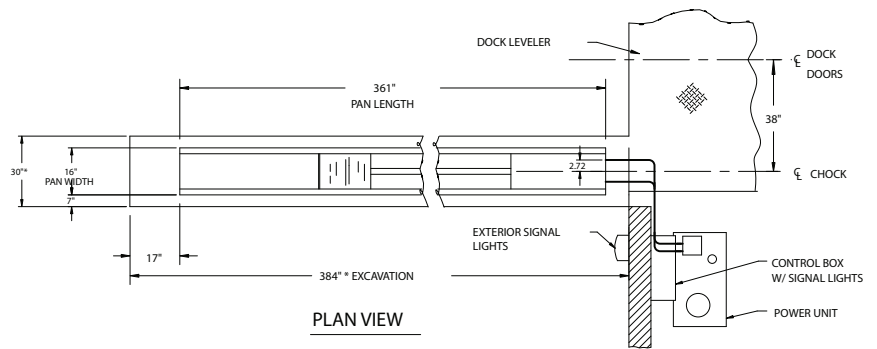
5. **Composite Exterior Light:** 6" high x 6" wide x 4 1/4" deep. Black polypropylene housing prevents rust and corrosion.

6. **Electrical:** Solid state control panel (9"W x 20"H x 8"D) features a programmable logic controller (PLC) and "real time" diagnostic capability, industrial quality push-buttons, integral LED visual safety warning system lights and printed operational instructions. UL listed. A separate 7.5A 120V AC single phase circuit is required for heat tape. Electrical supply connection by others.

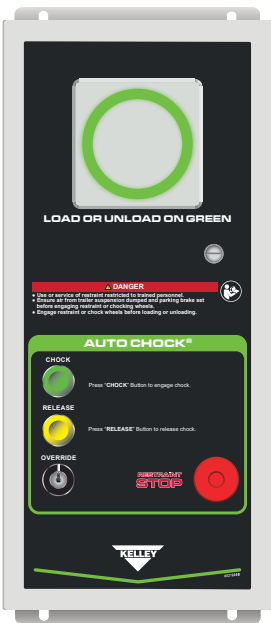
7. **Hydraulic Specifications:** Unit to include 5 GPM pump and 3HP motor supplied in 208V, 230V, 460V or 575V, 3 phase; doubleacting PLC controlled cylinder with 144" stroke and a hydraulic reservoir with 10.5 gallon capacity. Hydraulic hoses and fittings provided.

8. **Installation:** AUTO CHOCK housing is flush mounted in the drive in a 30" x 384" x 16" pit. Provisions for drainage are required. Concrete is poured to secure housing in place. Lights, caution signs, control panel and hydraulic system should be installed in accordance with provided instructions.

9. **Warranty:** KELLEY warrants all components to be free from defects in material and workmanship, under normal use, for a one year base period from the date of shipment in accordance with KELLEY's Standard Warranty Policy. The "Base Warranty Period" will begin on the completion of installation or the sixtieth (60th) day after shipment, whichever is earlier.



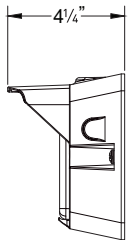
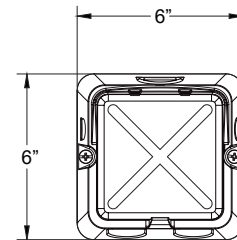
* NOTE: EXCAVATION DIMENSIONS.



Control panel



Exterior lights



Kelley
1612 Hutton Drive, Suite 140
Carrollton, TX 75006
800.558.6960
www.kelleydocksolutions.com

4Front Engineered Solutions reserves the right to change specifications and designs without notice and without incurring obligations. 4Front Engineered Solutions products may be the subject of one or more U.S. and/or foreign, issued and/or pending, design and/or utility patents. Kelley as word and logo are registered trademarks belonging to ASSA ABLOY Entrance Systems AB or other companies controlled by the same organization. All rights reserved.